

ARTWORK APPROVAL FORM

ORDER DETAILS

ORDER NUMBER: X
 ITEM CODE: MH2331-60B5
 QUANTITY: X

ITEM DETAILS

FABRIC: 150 GSM POLYESTER
 BRIM SIZE: 5,5 cm
 CIRCUMFERENCE: 60 cm
 LOGO DESIGN: REPEATED / POSITIONED X:
 X: X

MATERIAL COLOURS

FABRIC: WHITE
 STITCHES: MATCHING
 SWEATBAND: WHITE
 X: X
 X: X

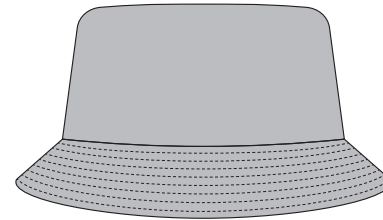
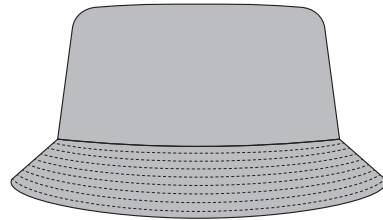


SCALE 1:5

FRONT

TECHNIQUE FULL COLOUR
 LOGO CMYK
 SIZE ALL OVER

ATTENTION 1



BACK

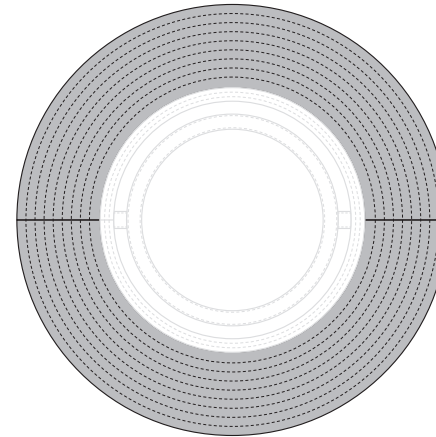
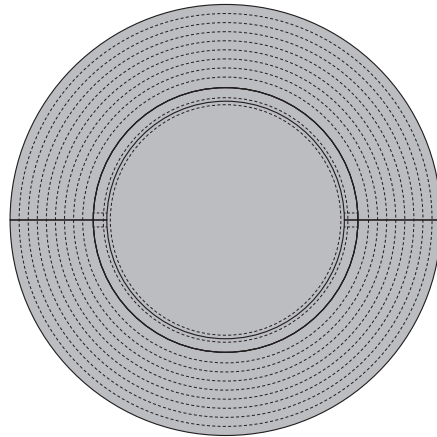
FULL COLOUR TECHNIQUE
 CMYK LOGO
 ALL OVER SIZE

ATTENTION 1

TOP

TECHNIQUE FULL COLOUR
 LOGO CMYK
 SIZE ALL OVER

ATTENTION 1



INSIDE BRIM

FULL COLOUR TECHNIQUE
 CMYK LOGO
 ALL OVER SIZE

ATTENTION 1

yourChoice



GENERAL COMMENT:
 DUE TO THE NATURE OF FULL COLOUR PRINTING THE OUTCOME OF THE FINAL COLOUR RESULT CAN BE SLIGHTLY DIFFERENT IN A REAL SAMPLE.



ATTENTION 1:



GENERAL COMMENT:
 PLEASE NOTICE THAT OUR TOLERANCE FOR THE POSITIONED LOGO PRINT IS 1-2 CM.



ATTENTION 2:

MH2331

POLYESTER BUCKET HAT

Fabric: Polyester
Grammage: 150 gsm
Brim size: 5,5 cm
Circumference: 60 cm

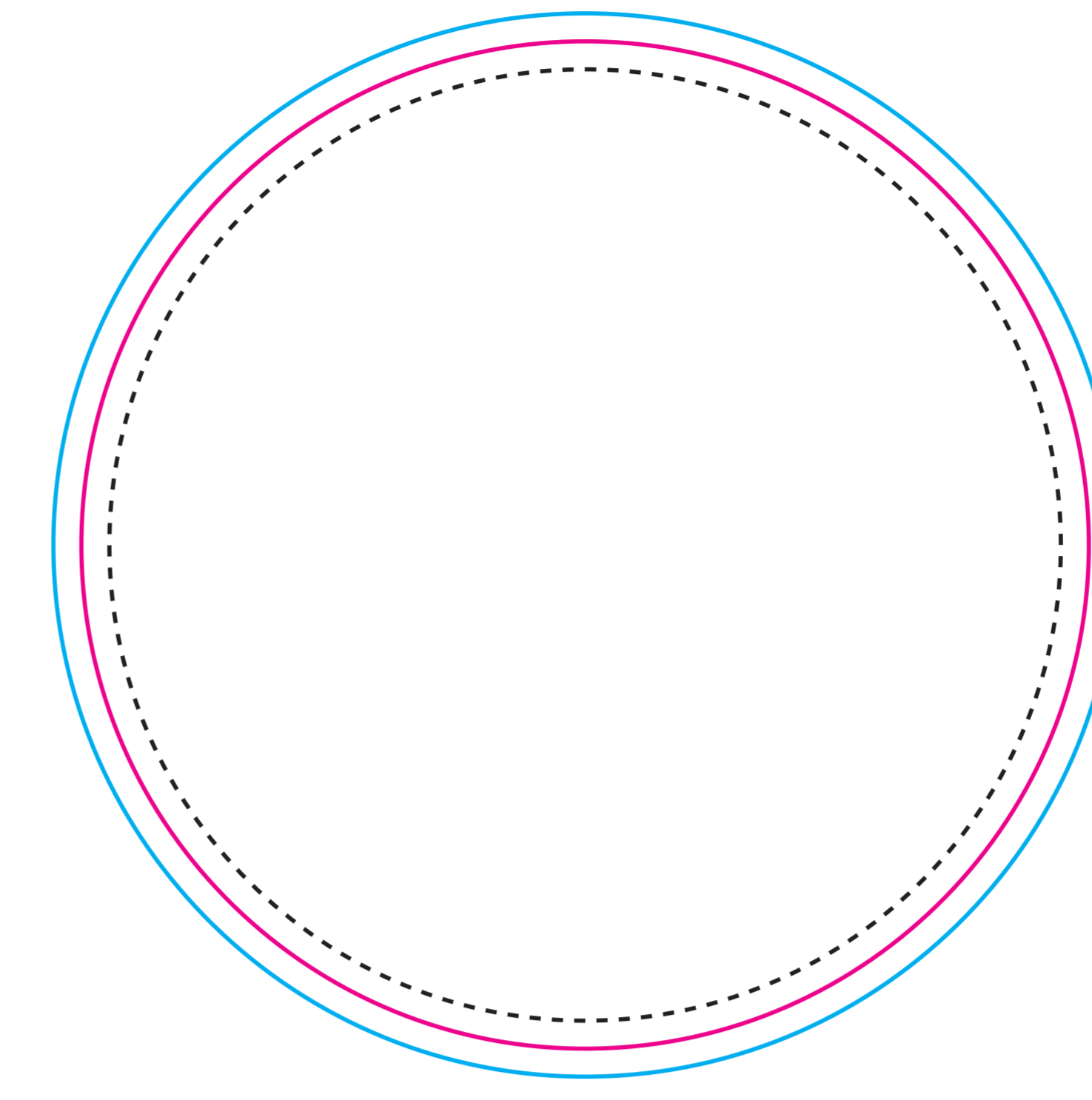


SCALE 1:1

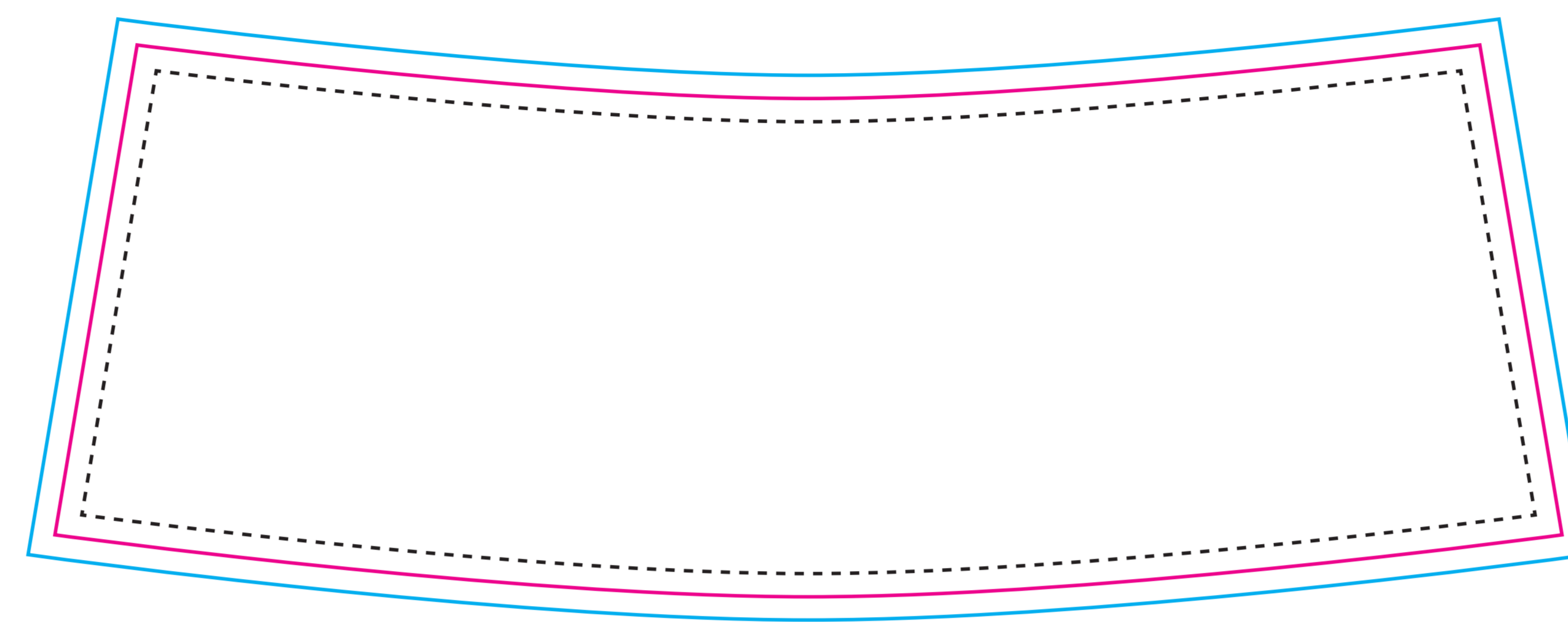
POLYESTER - STANDARD COLOURS



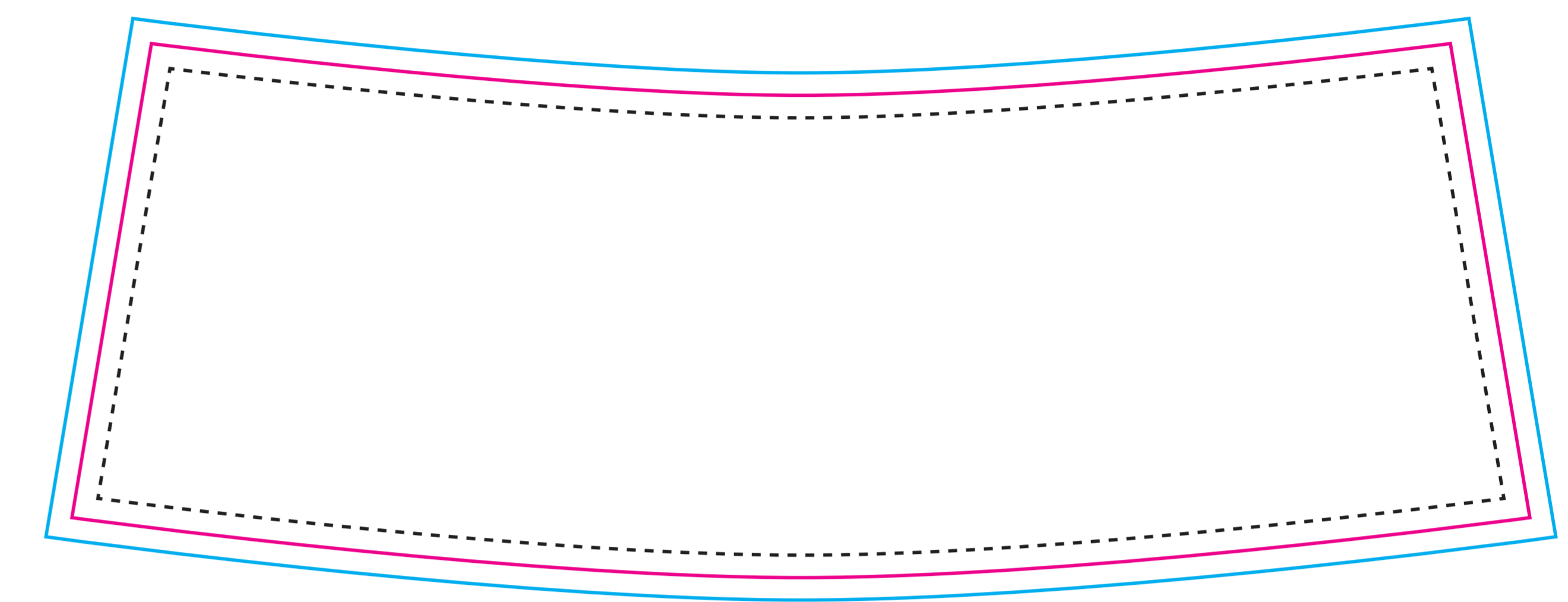
WHITE



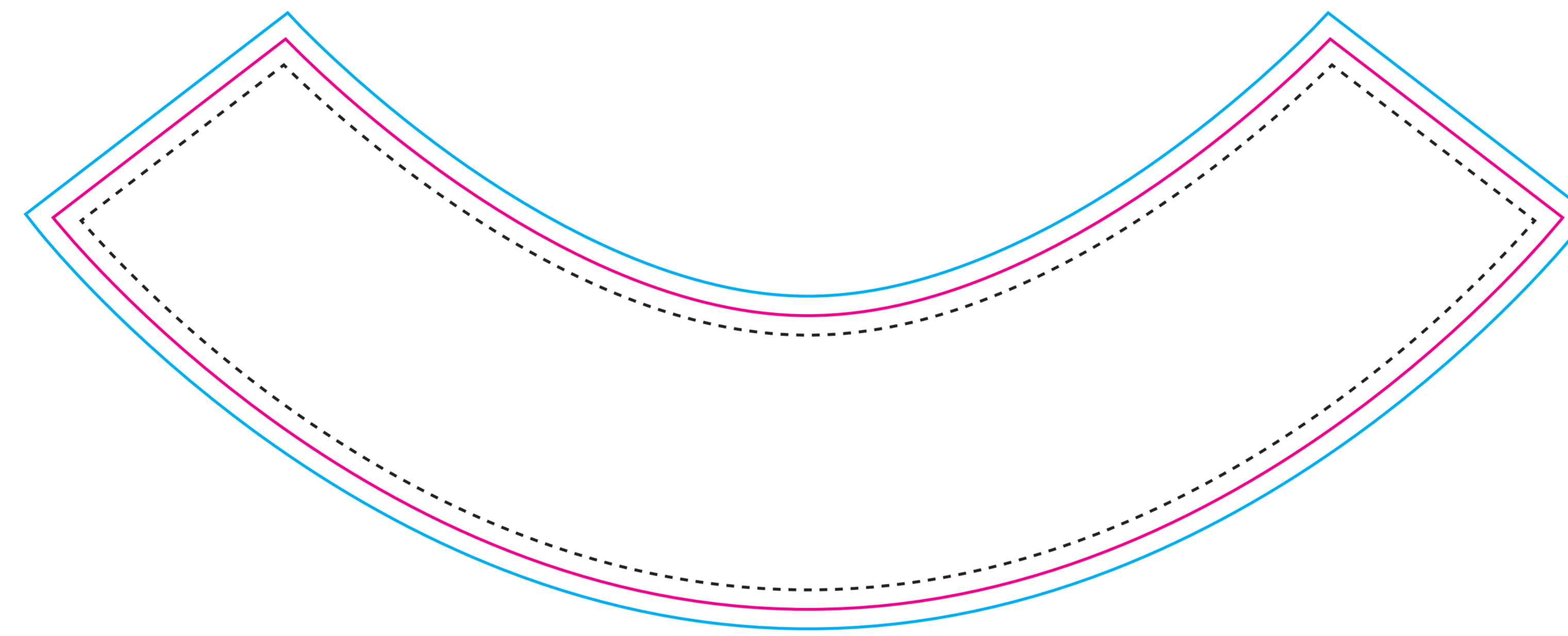
TOP



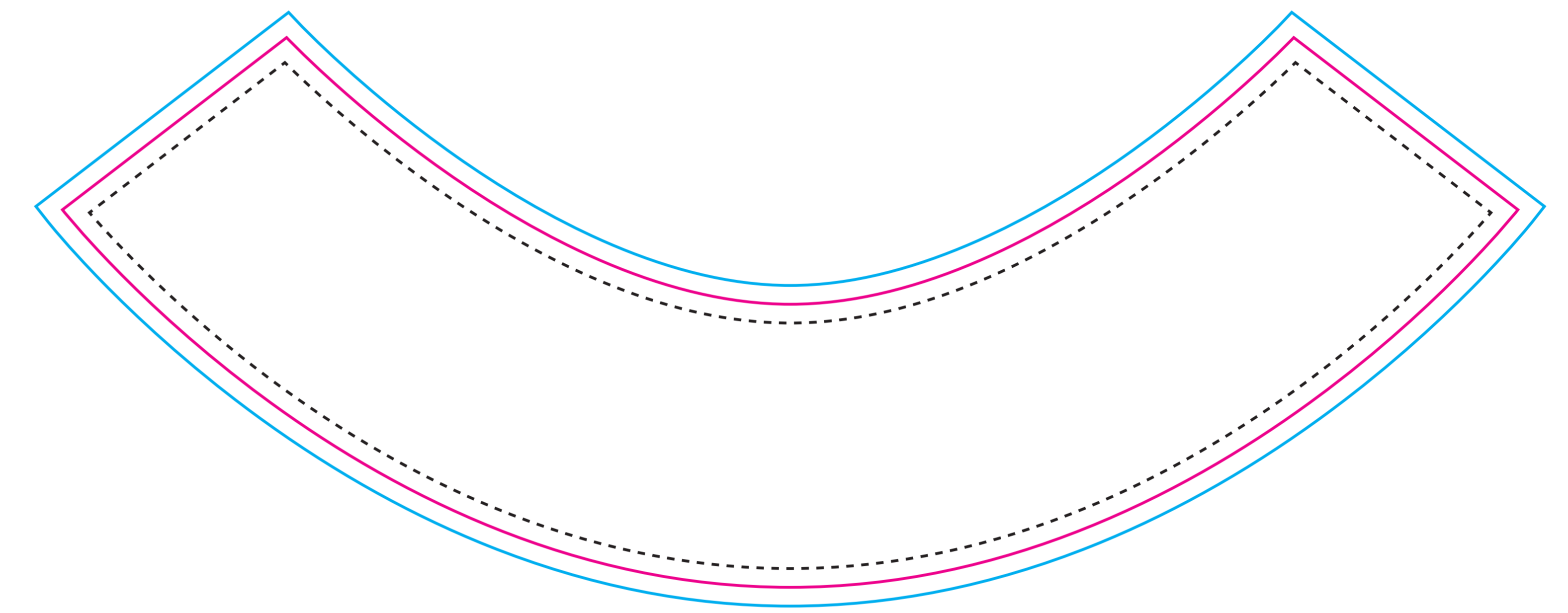
FRONT



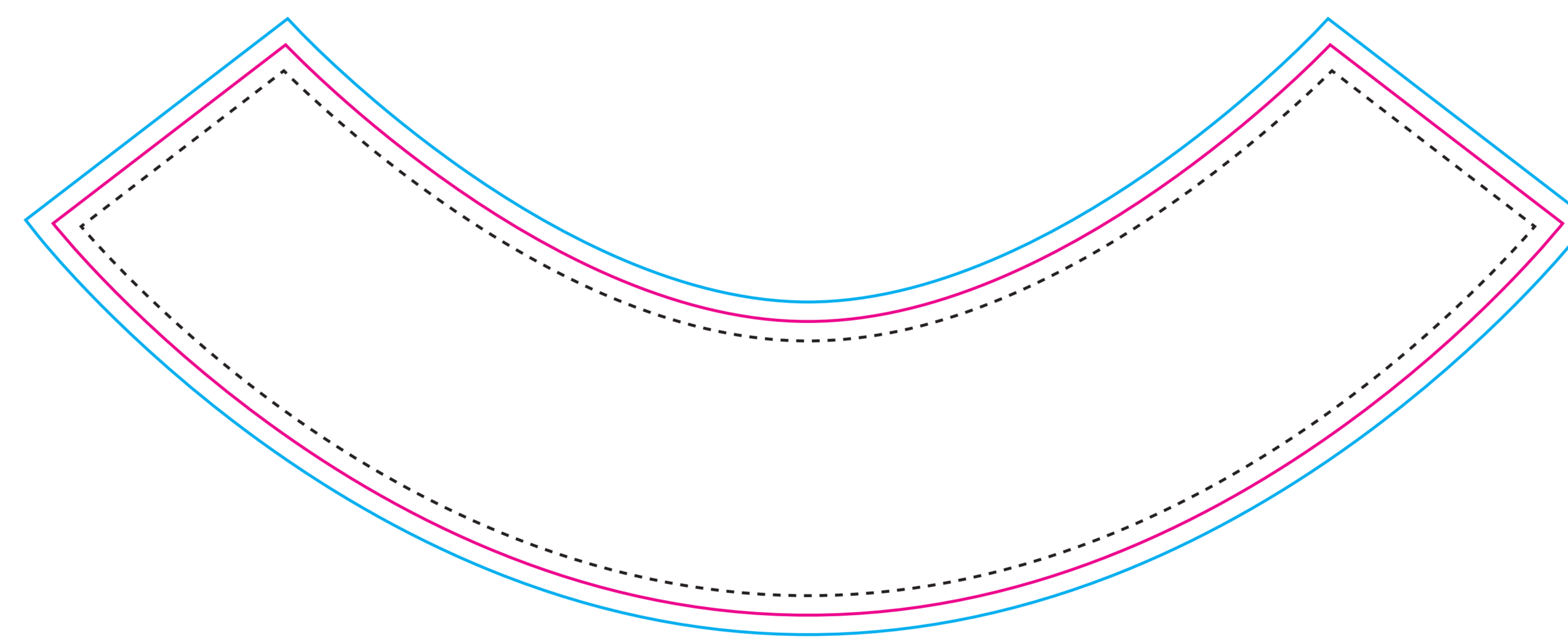
BACK



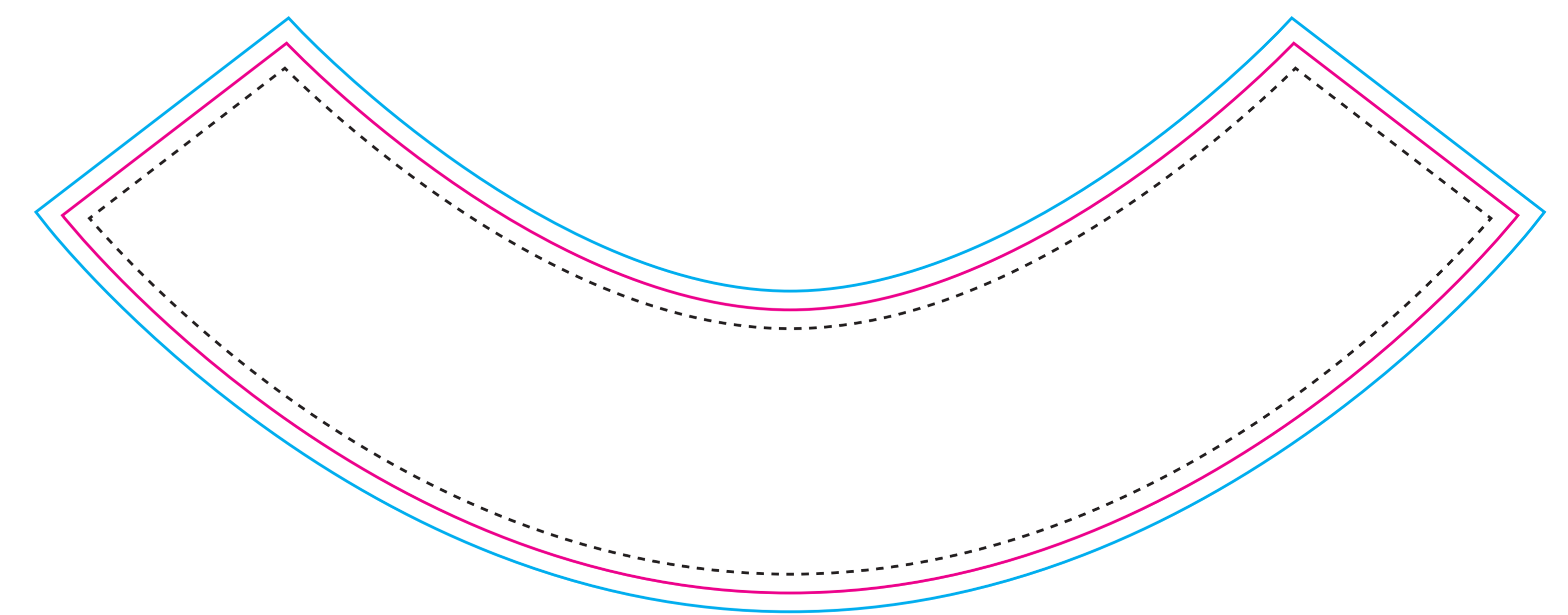
FRONT BRIM



BACK BRIM





FRONT BRIM - INSIDE



BACK BRIM - INSIDE

LEGEND:

-  BLEED AREA
-  FINISHED COMPONENT
-  SAFE PRINT AREA